

Load Cell BM24R



Products specification

Features

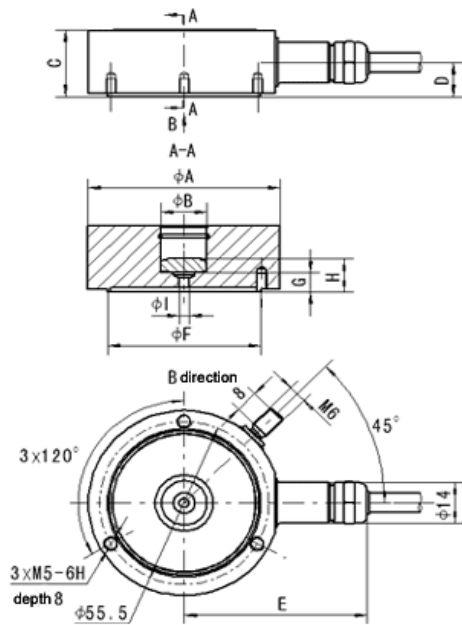
- ◆Stainless steel.
- ◆Hermetically sealed IP68.
- ◆Low profile load cell.

Specifications

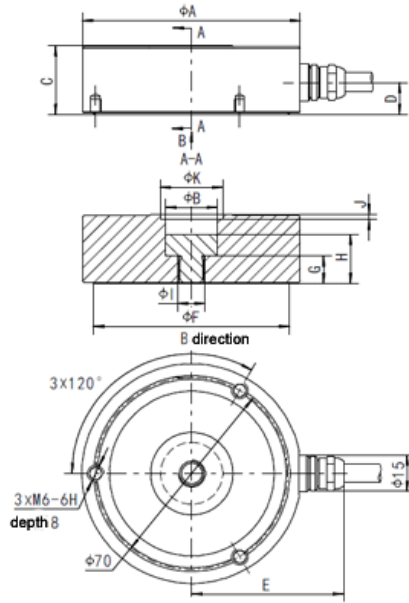
Maximum Capacity	t	0.06,0.13,0.28	0.25	0.5,1,2,3,5,10	13	28	60
Accuracy Class		OIML R60 C3/OIML R60 C4/OIML R60 C5					
Output sensitivity	(mv/v)	1.0±0.01	1.75±0.01	2.0±0.1	2.0±0.1	2.0±0.1	2.0±0.1
Maximum number of load cell interval		C3=3000,C4=4000,C5=5000					
Minimum load cell verification interval		C3=10.000,C4 and C5=16.000					
Combined error	(%FS)	C3=±± 0.0230 ,C4= ±±0.0174,C5=±±0.0140					
Input resistance	(Ω)	1260±100	1100±100	1100±100	1200±100	1075±100	1350±200
Output resistance	(Ω)	1020±0.5	1025±25	1025±25	1000±0.5	930±0.5	1175±0.5
Insulation resistance	(M Ω)	≥ 5000(50VDC)					
Temperature range, compensated	(°C)	-10~+40					
Temperature range, operating	(°C)	-35~+70					
Temperature range, storage	(°C)	-50~+90					
Zero balance	(%FS)	≤± 1.0%					
Excitation, Recommended	(V)	10~15					
Excitation,Max	(V)	30					
Safe overload	(%FS)	150					

Outline Dimension mm(inch)

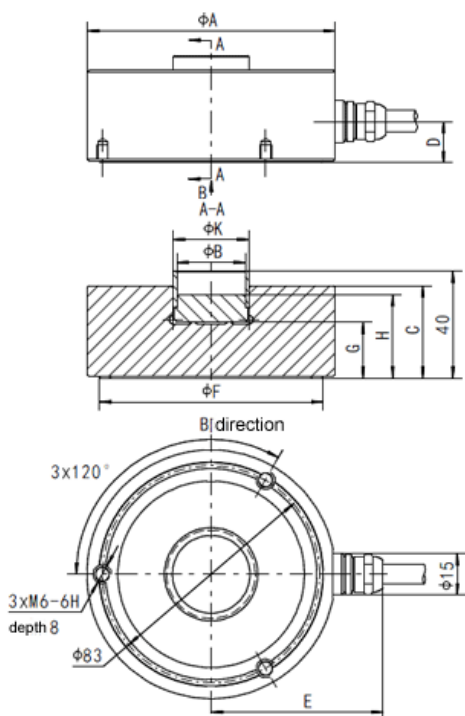
60kg/130kg/280kg



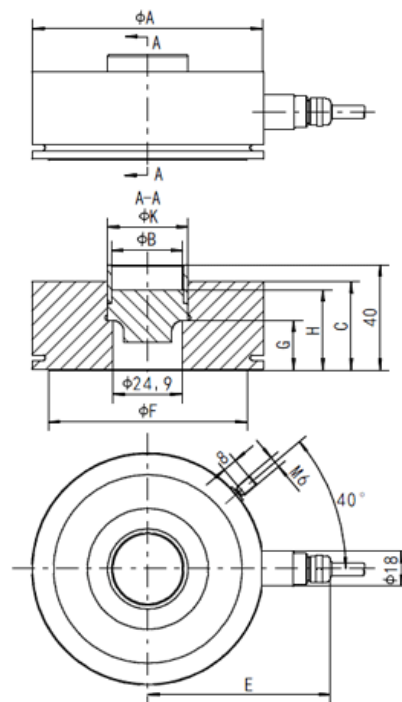
0.25t/1t/2t/3.5t/5t

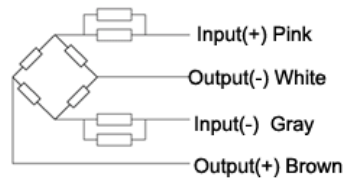
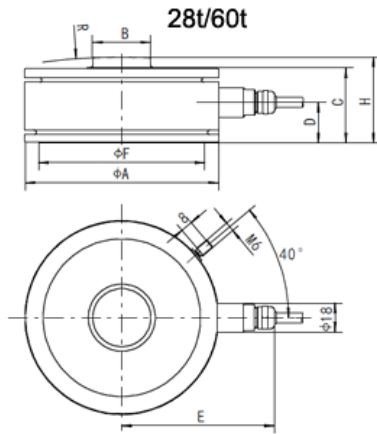


10t



13t





Wiring:
 Adopt shielded,
 4 conductor cable: $\Phi 6.2 \pm 0.1\text{mm}$

Capacity (0.06, 0.13, 0.25, 0.28, 0.5, 1t),
 Standard cable length: 3m
 Capacity (2, 3, 5, 5t), Standard cable length: 6m
 Capacity (10, 13, 28, 60t), Standard cable length: 15m

量程(t)	A	B	C	D	E	F	G	H	I	J	K	R
0.06, 0.13, 0.28	63	15.1	22	11	60	54	6	10	3.2	--		--
0.5, 1	80	19	25	12.5	65	71	10	18	M10	1	25	--
2, 3.5	80	19	30	12.5	65	71	10	18	15	6	25	--
10	95	26	35	12.5	72	75	20.7	31.2		--	29	--
13	95	26	35	20	85	79.5	20	31		--	29	--
28	120	35.9	46	25	94	102	--	53		--		400
60	140	47.9	62	34	104	124	--	69		--		600