



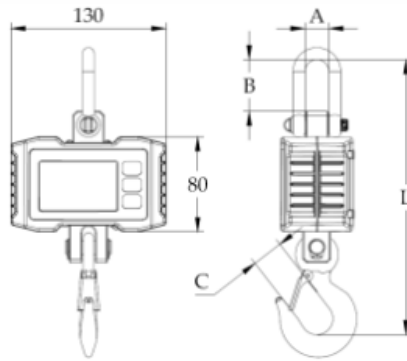
Features

- ◆ Aluminum die-casting case
- ◆ Lcd display with backlight
- ◆ American standard eye hook
- ◆ Stainless steel shackle
- ◆ AA*3 battery
- ◆ Optional colors
- ◆ Capacity : 100kg-1000kg

Optional colours



Size and weight



Max.Cap (kg)	A mm	B mm	C mm	L mm	N.W (kg)
100kg	20	43	25	220	1.0
200kg	20	43	25	220	1.0
300kg	20	43	25	220	1.0
500kg	20	43	25	220	1.0
1000kg	20	43	27	230	1.4

Functions

Zero	Digital Calibration
Tare In/ Tare Out	3-point Linearity Correction
Hold	lb/kg Switch
Battery Supervision	Resolution switch
Overload Alarm/ Record	Gravity Acceleration Set

Specification

Accuracy class	OIML III
Tare range	100%F.S.
Zero range	4%F.S.
Safe overload	120%F.S.
Ultimate overload	400%F.S.
Overload alarm	100%F.S.+9e
Battery	AA*3
Battery life	>100h
Temperature range	-10°C~40°C