
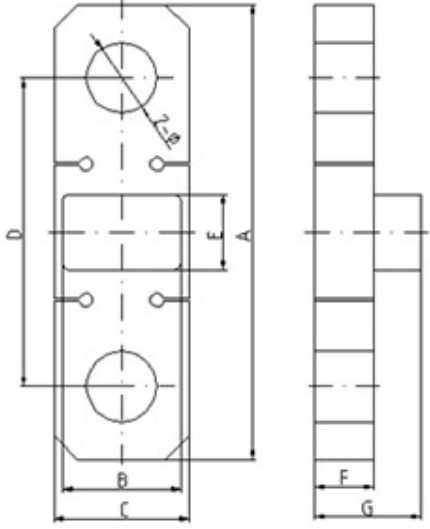


MODEL:	FEATURES:
EBW Crane scale (DYNAMOMETE R) 	<ul style="list-style-type: none"> * High duty alloy steel shackles * 5-200t: alloy steel full sealed * Standard 18650 Lithium battery, 3.7V/3100mAh full sealed * Water-proof IP67 <p>Indicator: 280D</p> <ul style="list-style-type: none"> * 25mm (1") 5digits LCD * Kg/t/lb/N/KN units * Wireless frequency: 433MHz * Wireless transmission distance: no less than 200 meters when unobstructed * Gravity setting * Upper and lower limit for safety and warning control * Option: RS232 interface * Function : <p>Zero,Tare,Clear,Peak,Accumulate,Hold,Unit,Over load warning,Low power warning,voltage etc.</p> 

SPECIFICATIONS:
<ul style="list-style-type: none"> * Weight accuracy: OIML III standard. * Continuous working: 100 hours * Operating temp: - 10°C ~ + 40°C * Operating humidity: <= 90%R.H. * Safe load 125%,Ultimate load 400%

MODEL	Capacity	Division	N.W.	A	B	C	D	E	F	G	2-Φ
	(kg)	(kg)	(kg)	(mm)	(mm)	(mm)	(mm)	(mm)	(mm)	(mm)	(mm)
EBW-5	5000	2	3	190	110	60	137	65	30	70	27
EBW-10	10000	5	4.5	245	110	70	168	65	36	76	41
EBW-20	20000	10	9	312	110	94	206	65	45	85	54
EBW-30	30000	10	15	370	110	114	246	65	50	90	60
EBW-50	50000	50	25	460	110	140	309	65	60	100	73
EBW-100	100000	100	55	580	110	180	389	65	80	120	99
EBW-150	150000	100	90	690	110	220	456	65	90	130	112
EBW-200	200000	200	130	800	110	250	534	65	100	140	134

「

「

」

」

」