



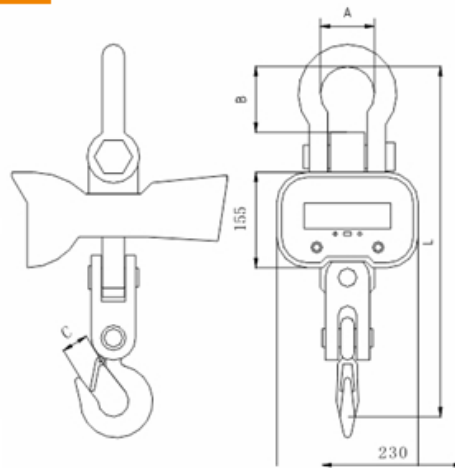
Features

- ◆ High-strength load receptor
- ◆ Aluminum die-casting case
- ◆ LED display
- ◆ American standard bow shackle
- ◆ American standard eye hook
- ◆ High capacity rechargeable battery
- ◆ Infrared remote control
- ◆ Capacity: 1t~20t

Optional colours



Size and weight



Max.Cap (t)	A mm	B mm	C mm	L mm	N.W (kg)
1t	58	83	30	420	12kg
2t	58	83	30	420	13kg
3t	73	107	33	480	15kg
5t	92	135	45	585	24kg
10t	94	147	60	770	43kg
15t	128	178	75	860	61kg
20t	135	250	75	950	64kg

Functions

Zero

Tare In/ Tare Out

Hold

Low Voltage Alarm

Battery Supervision

Overload Alarm/ Record

Digital Calibration

3-point Linearity Correction

lb/kg Switch

Gravity Acceleration Set

Specification

Accuracy class	OIML III
Tare range	100%F.S.
Zero range	4%F.S.
Safe overload	120%F.S.
Ultimate overload	400%F.S.
Overload alarm	100%F.S.+9e
Battery	6V/10Ah
Adaptor	DC9V
Battery life	>100h
Temperature range	-10°C~40°C