

V15000/100000

MOUNTING KIT for COMPRESSION-LOW PROFILE load cells

LAUMAS®

Series load cells: CBL - CBX

Up to 100000 kg application range



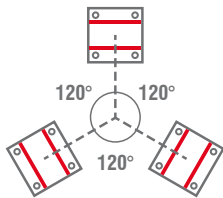
MAX STATIC LOAD kg	FOR LOAD CELLS	NET WEIGHT OF MOUNTING KIT (kg)	CODE
30000	CBL (15000 kg) - CBX (30000 kg)	9	V15000
50000	CBL (30000 kg) - CBX (50000 kg)	17.5	V30000
100000	CBL (50000 kg) - CBL (100000 kg)	33.5	V100000

Load cell not included.

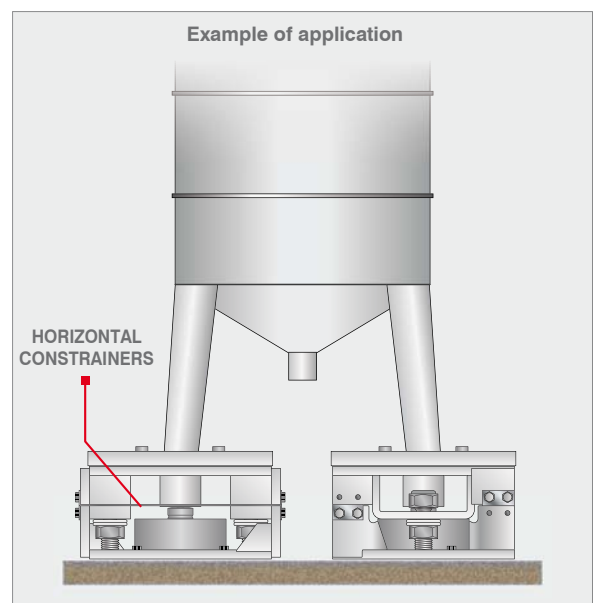
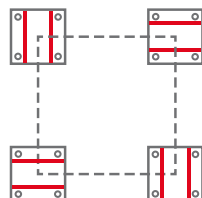
DESCRIPTION

- AISI 304 stainless steel upper and lower plates.
- AISI 304 stainless steel laminas against lateral forces.
- Anti-tilt system consists of two threaded rods with self-locking nut.

HORIZONTAL CONSTRAINERS ORIENTATION IN STRUCTURE WITH 3-POINTS SUPPORT



HORIZONTAL CONSTRAINERS ORIENTATION IN STRUCTURE WITH 4-POINTS SUPPORT



COMPLEMENTARY ACCESSORIES



DESCRIPTION

- AISI 304 stainless steel adapter:
- V15000 for Ø82 mm load cells
 - V30000 for Ø100 mm load cells
 - V100000 for Ø126 mm load cells

CODE

ADAT100CBX15T
ADAT126CBX30T
ADAT165CBX50T

V15000/100000

MOUNTING KIT for COMPRESSION-LOW PROFILE load cells

LAUMAS®

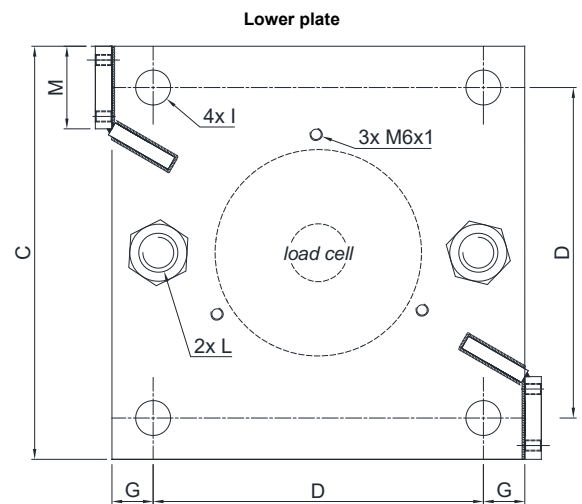
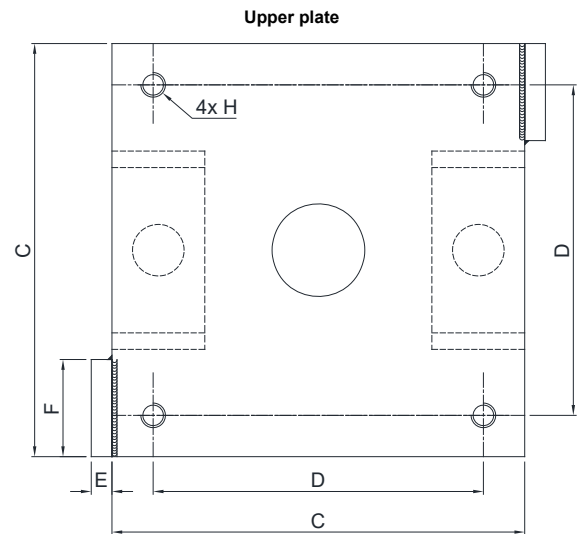
DIMENSIONS AND TECHNICAL SPECIFICATIONS

Upper and lower plates **2** must rest completely on not deformable surfaces. To ensure the stability of the structure, the system designer must predict any further precaution against side shifts and anti-tilt in function of: knocks and vibrations, wind effect, seismic conditions and hardness of support structure.

- Install the weighed system using only the mounting kit without the load cell **1** and inserting in its place a piece of pipe (1-2 mm higher than the load cell).
- To finish the installation (weldings, etc.), remove the piece of pipe and then removing the bolts to fix the the load cell **7** insert the load cell **1** in mounting kit.
- Connect lower and upper plates **2** to the earthing system then loosen nuts **5**; verify that the threaded rod **4** slides into the hole; turn anti-tilt nuts **6** to a distance of 1 mm from plate.
- Tighten the three bolts to fix the load cell **7**.

	A	B	C	D	E	F	G	H	I	L	M	Weight
V15000	102	10	200	160	10	47	20	M12x1.75	Ø17	M20x2.5	40	9 kg
V30000	132	12	250	185	12	70	32.5	M18x2.5	Ø20	M24x3	60	17 kg
V100000	155	15	320	250	15	95	35	M20x2.5	Ø23	M30x3.5	70	34 kg

Dimensions (mm)



- 1 Load cell.
- 2 AISI 304 stainless steel upper and lower plates.
- 3 AISI 304 stainless steel laminas with horizontal constrainer function.
- 4 Threaded rod.
- 5 Nut to be used as jack.
- 6 Anti-tilt self-locking nut.
- 7 M6 bolts to fix the load cell.

