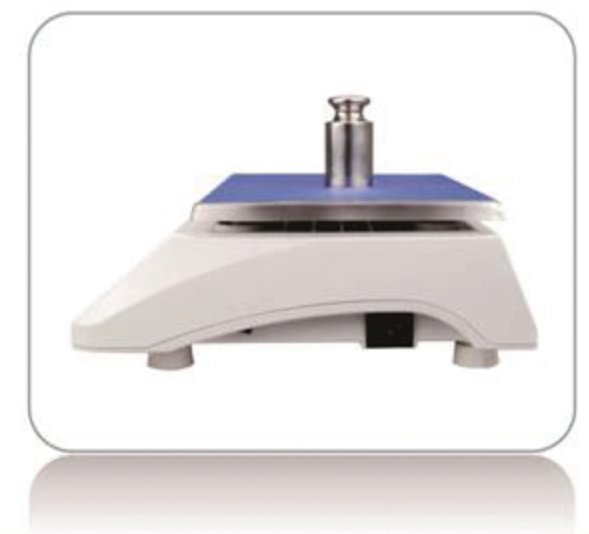


JWQ Weighing Scale

Features

- Resolution up to 1/15000
- Single point and linear calibration available
- Hold function in peak, stability, or key operation
- Lower/upper limit weighing alarming function
- Zero range setting and filter setting for counting under various condition
- Accumulation, Accumulation Display and Accumulation clear functions
- RS232 interface (Optional) for PC or Printer
- Ideal for applications in production, packaging, warehouse, inventory, shipping and receiving areas.

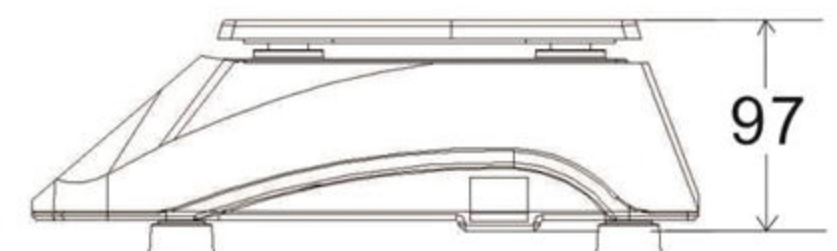
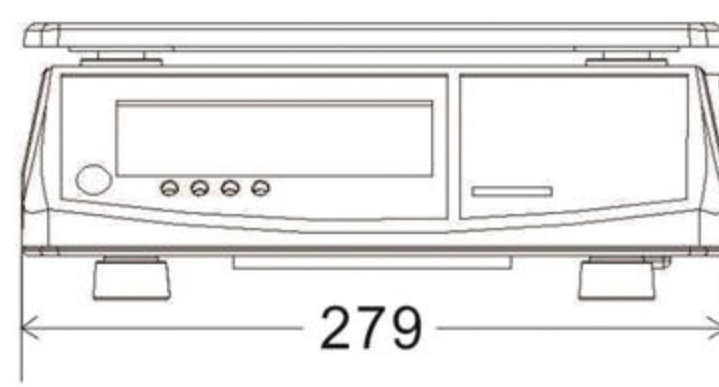
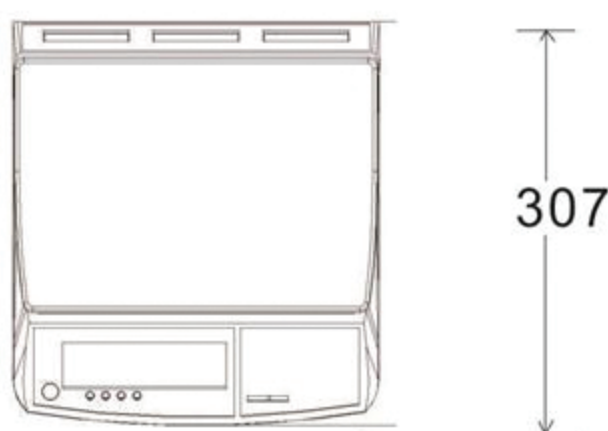
Operating temp: 10°C~40°C



Specifications

Model	JWQ-3K	JWQ-6K	JWQ-15K	JWQ-30K
Capacity(kg)	3	6	15	30
Division(g)	0.2	0.5	1	2
Display screen(mm)	128X51			
Dimension(mm)	279×307×97			
Weighing units	kg, g, t, lb, oz, pcs, 斤 (台斤, 港斤, 市斤)			
Weighing pan(mm)	275x 190(Stainless Steel, and 1.0mm in thickness)			
Power supply	AC 100~240V / rechargeable battery (6 V/ 4 AH)			

Sizedraft



JADEVER[®]



Jadever Scale Co., Ltd.
 Add: 8F, No.11 Wu-Chuan 1 Rd,
 Sinjhuang District, New Taipei
 City, Taiwan 248
 Tel : 886-2-22990203
 Fax : 886-2-22990204
 http: www.jadever.com
 E-mail:sales@jadever.com.tw

Xiamen Jadever Scale Co., Ltd.
 Add: 7F, No.40 Huli Avenue, Huli
 District, Xiamen 361006, Fujian,
 China
 Tel : 86-592-6037668
 Fax : 86-592-6037028
 http://www.jadever.com
 E-mail:xmjadever@jadever.com.cn

Jadever Weigtech, Inc.
 Add: 16 Lady Veronica Lane,
 Vaughan , Ontario L6A 0G1
 Tel:1-905-482-2618
 Fax:1-905-887-4066
 http://www.jadeverscale.com
 E-mail:james@jadeverscale.com