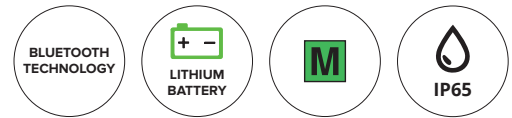


TWIN FORKS

WEIGHING FORKS



TWIN FORKS represent the easiest weighing solution for forklifts: they simply replace the standard forks transforming your forklift into an accurate approved mobile weighing station. Bluetooth connection, lithium battery and cutting-edge technology to guarantee the best performance.

Choose it because:

- Easy to mount and remove
- Very thin shape with minimum reduction of the lifting capacity
- Approved for legal-for-trade use

M	Max. Capacity (kg)	d (kg)	e (kg) M
*	2.500 [1.000 - 2.500]	1 - 2	2 - 5

Upon request:

- (*) Legal-for-trade-approval M
- Version for FEM2B fork-holder plates
- Version for FEM3A fork-holder plates

Other Special Versions upon request

Main Functions

- **WEIGHT TOTALISATION**
- **PIECE COUNTING**
- **UNIT CONVERTER:** kg/lb, free conversion factor
- **ZEROING**
- **TARE**
- **PRESET TARE**

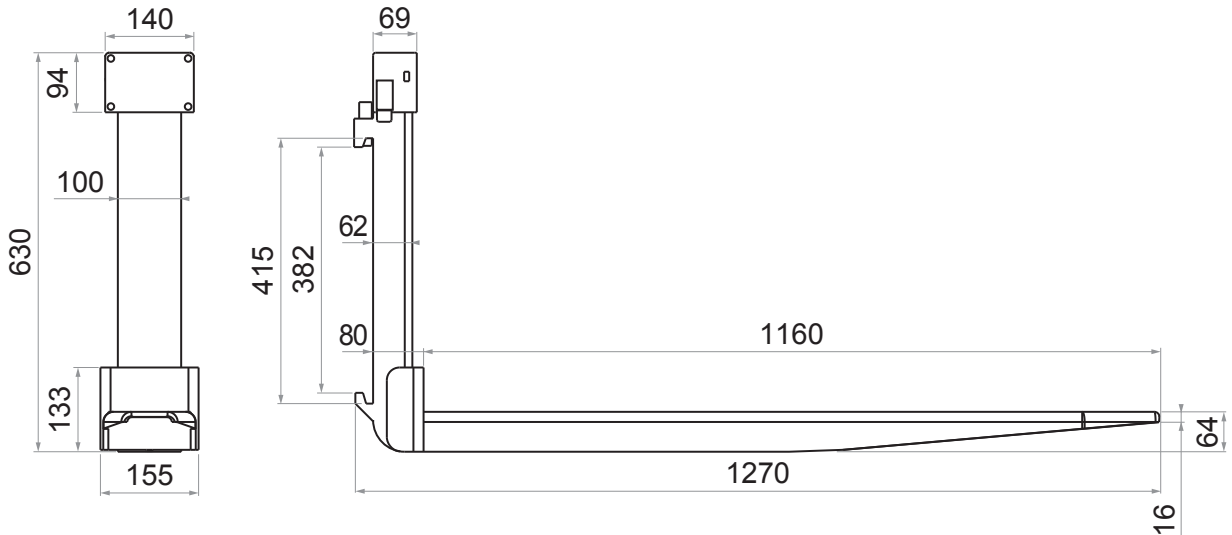
Main Features

Display	25 mm LCD backlit display	
Brightness	Adjustable brightness	
IP protection rating	Forks	IP65
	Indicator	IP68
Fixing bracket	As standard	
Accuracy	Internal use	± 2 kg
	Legal for trade M	CE approved (Directive 2014/31/EU)
Keyboard	5 keys waterproof	
Fork structure	Sturdy painted steel	
Fork connection	FEM2A (FEM2B and FEM3A upon request)	
Fork weigh	68 kg	
Max. horizontal inclination	± 2° (for legal for trade use only)	
Max. barycentric shifting	25 mm	
Load cells	4, in stainless steel, with IP68 protection	
Max. allowable overload	More than 300% F.S.	
Auto switch-off	5 min, programmable	
Switch-on	Automatic switch-on function, thanks to the movement detector	
Power supply	Forks	Rechargeable lithium battery with Instaplug technology with EU, UK, AU, US power plug
	Indicator	12 V, from forklift truck
Operating time	More than 90 h or 24/7 continuous use with optional battery kit	
Operating temperature range	-10 / +40°C	
Forks communication	Bluetooth technology	
Communication to external devices	Communication port for optional printer	

Certifications

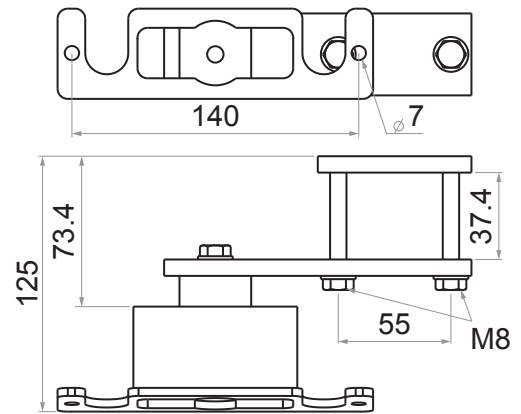
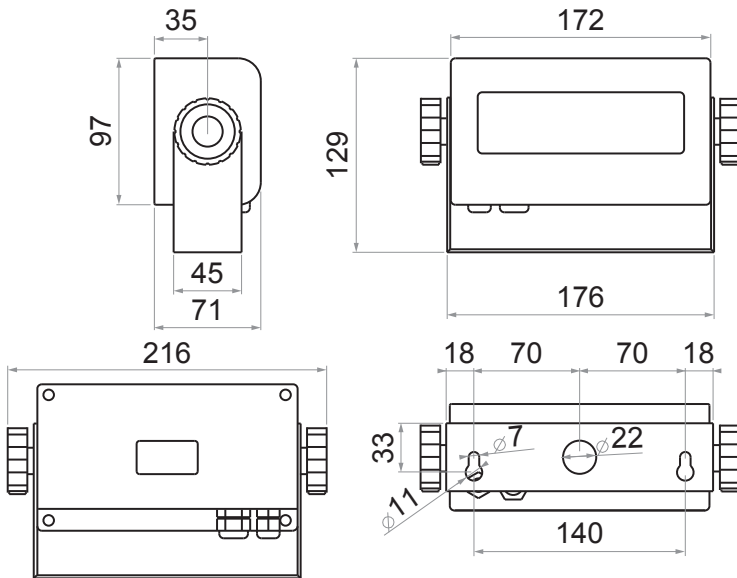
Approvals	Type	Description
2014/30/EU EMC	Electric	EN 61000-6-2:2005 EN 61000-6-4: 2007+A1:2011 EN 61326-1 : 2013 EN 55011 : 2009+A1 : 2010
2014/35/EU LVD	Electric	EN 61010-1 : 2010
2011/65/EU (RoHS)	Electric	EN 50581 : 2012

Technical Drawing (mm)



Technical Drawing | COMPACT Weight Indicator (mm)

Technical Drawing | Bracket (mm)



Accessories

- THERMAL PRINTER
- DATE AND TIME

€ For Prices and additional Accessories see the Price List