

TX-110

DOT-MATRIX SERIAL PRINTER



High-speed dot-printing

Suitable for long-term data retention

Equipped with a bright OLED display

Various operating modes

Compliant with ISO/GLP

Printing compliant with ISO/GLP.

TX-110 can print measured values, time, signature information as well as model and S/N of the balance, ID of the user together with other informations of the selected function. Editable header and footer.

Built-in clock.

Enables printing time and date information even with a balance that doesn't have a clock function.

Various operating modes

- DIRECT. Prints out current weight value
- TARE/NET/GROSS. Prints out these values separately
- SUM. Prints out the total value of samples
- AVERAGE. Prints out the average of samples
- FORMULATION. Print out each sample's weight independently when mixing samples
- PIPETTE CALIBRATION. Calibrate capacity of pipette
- USER DEFINED. Operator can set a multiplicative coefficient
- COMPARATOR. Prints out weight value only when inside a defined range
- AUTOMATIC TIMING. Prints out weight value at defined time intervals

Specifications

Printing Method	Impact dot matrix
Printing speed	1.7 lines/sec.(approx.)
Character Size	1.7 mm (W) × 2.6 mm (H) (approx.)
Printer Paper	Normal paper, 57mm width, 50mm in diameter
Printer head life	1,000,000 lines

Display	OLED 128x64 Dot matrix, 0.96"
Clock	Built-in
Interface	RS-232C (male Dsub-9pin)
Baudrate	300, 600, 1200, 2400, 4800, 9600, 14.4k, 19.2k, 38.4k, 115.2k
Power supply	Input 100-240 V AC, 50/60Hz; Output 12 V DC / 2A
Power consumption	8W (printing) 0.5W (standby)
Operating	5-45°C ; humidty 10-80% not condensing

Printing example with Statistical mode

```

-----
Model:
S/N:
ID:          1234
Date:        2014-03-28
Start Time:  17:30:22
Sample No.   00000000543
-----
<STAT>-----
No.001      10.006 mg
No.002      10.007 mg
No.003      10.008 mg
-----
<RESULT>-----
N=          3
T=          30.021 mg
MAX=        10.008 mg
MIN=        10.006 mg
RNG=        0.002 mg
MEAN=       10.0070 mg
SD=         0.001000 mg
CV=         0.009993005 %
-----
End Time:   16:40:46
Signature:
-----

```

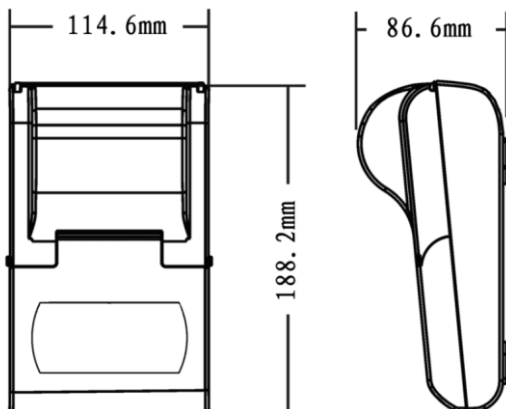
Header. Balance ID, user ID, Date, Start Time, Sample ID

Measured Weighing Results

Statistical Report. Number of samples. Total. Maximum and Minimum values. Range. Mean value. Standard deviation. Coefficient of variation.

Footer.

Physical Dimensions, TX-110



Accessories and Spare parts

Code	Description
AC031	Paper roll for TX-110 serial dot-matrix printer